



14726 INSTALLATION INSTRUCTIONS FOR: Crystalline Series Recessed Decorative LED Troffer Light

Safety Precautions:

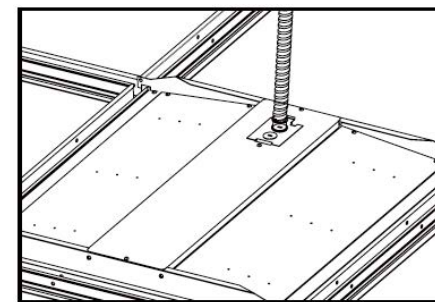
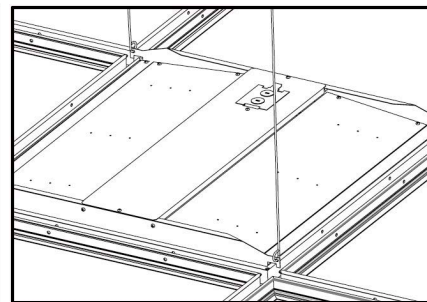
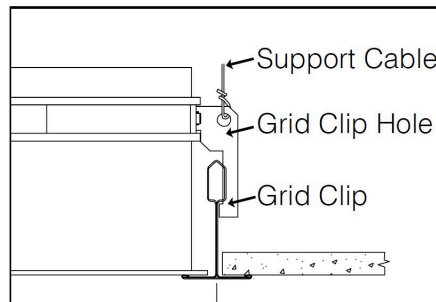
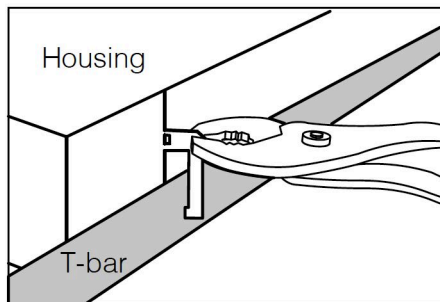
- 1. Read Carefully:** Prior to installation or servicing, thoroughly read and understand all safety precautions and instructions on the back side. Failure to follow these guidelines may result in serious injury, electric shock, or property damage.
- 2. Qualified Installation:** It is strongly recommended that all wiring be performed by a licensed electrician. This fixture must be installed in compliance with all national and local electrical codes.
- 3. Avoid Wet Conditions:** Do not handle or attempt to energize the fixture with wet hands, or while standing on wet surfaces or in water. Do not install within 10 ft or less from the nearest edge of a pool, spa, fountain, or similar location.
- 4. Verify Power Source:** Ensure the power source meets the fixture's requirements.
- 5. Suitable for Damp locations:** Suitable for 9/16" or 15/16" Flat Tee Grid in both Insulated Ceilings and Non-Insulated Ceilings. Access above ceiling required. Do not touch LEDs with hands or tools. Mishandling of LED can lead to product failure.




Installation:

1. Rotate and slide the fixture through the T-bar, positioning it securely on the grid (see diagram based on T-bar type).
2. Bend the grid clips firmly against the T-bar to lock the fixture in place.
3. A support cable may be required by local or building codes. Secure the fixture to the building structure using a support cable (provided by others) through the grid clip hole.

4. Ensure the J-box and access plate are oriented for easy access and proper electrical connections.



WARNING: RISK OF FIRE AND ELECTRICAL SHOCK. FIXTURE MUST BE INSTALLED BY A QUALIFIED ELECTRICIAN ONLY IN ACCORDANCE WITH NATIONAL, LOCAL BUILDING AND ELECTRICAL CODES. DISCONNECT POWER AT ELECTRICAL PANEL BEFORE SERVICING.

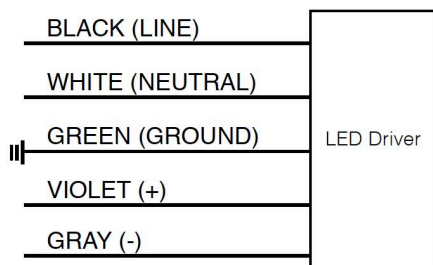


5. Loosen the access plate screw, remove the access plate, and knock out the necessary conduit openings to attach the conduit. Use appropriate conduit connectors as required by code.
6. Connect the wiring per the instructions in the wiring diagram, then carefully push all wires back into the J-box.
7. Replace the access plate and securely tighten the screw

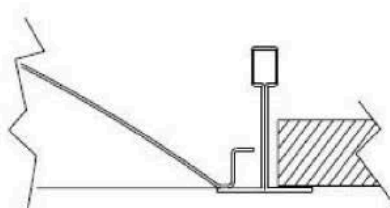
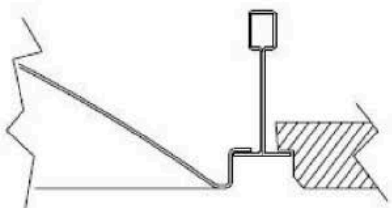
ON-OFF Wiring

Follow the wiring directions as in fig. 1

1. Connect the black fixture wire to the LINE (live) supply wire.
2. Connect the white fixture wire to the COMMON/NEUTRAL supply wire.
3. Connect the fixture's GROUND wire to the supply ground wire.



Mounting data



Access plate with knock-out(s)

